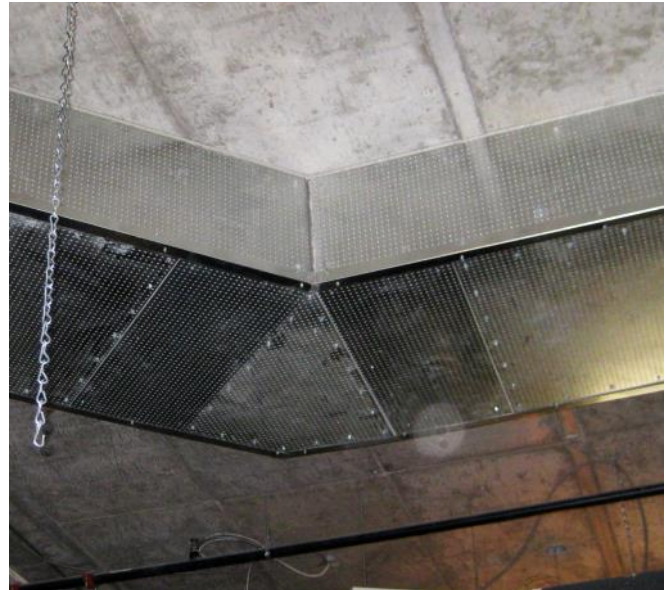


DuraDuct™ 4HR installation.



3-sided DuraDuct™ 4HR installation.

DuraDuct™ 4HR

4-Hour Fire Rated Ductwork

DuraDuct™ 4HR is the only 4-hour fire rated duct system on the market .

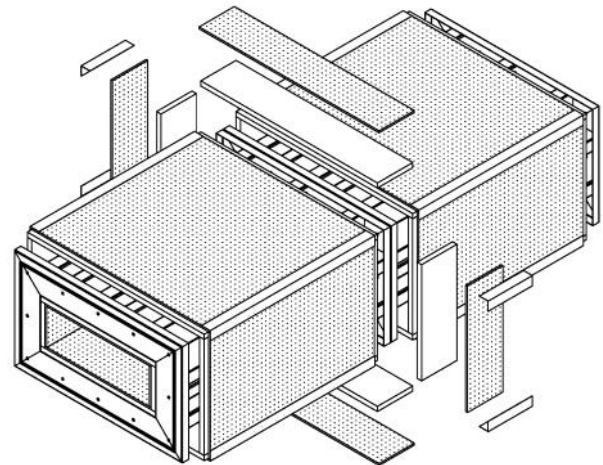
DuraDuct™ 4HR is a single source 4-hour fire rated, zero clearance ventilation duct system ideal for applications where the highest degree of fire protection is needed. The DuraDuct™ 4HR provides the flexibility required to get the job done right. Once the DuraDuct™ 4HR is installed, the fire rating is achieved immediately without the need for any additional treatment of the duct.

The DuraDuct™ 4HR system is easily inspected as the pre-fabricated design eliminates the need to closely monitor the site installation variables so often found with wrap and enclosure type systems.

Pair the DuraDuct™ 4HR with DuraSystems' 4-hour fire rated walls and ceilings to source a complete design solution for extreme environment applications.

DuraDuct™ 4HR is constructed of DuraSystems' UL Listed horizontal (BXUV.G302) and vertical (BXUV.V460) fire separations into a 4-hour fire rated, code compliant, shaft enclosure.

When the highest degree of fire protection is needed, the DuraDuct™ 4HR is the solution you can trust to protect your facility.



Please visit our website at www.durasystems.com to find your local representative or contact DuraSystems for further information at info@durasystems.com.