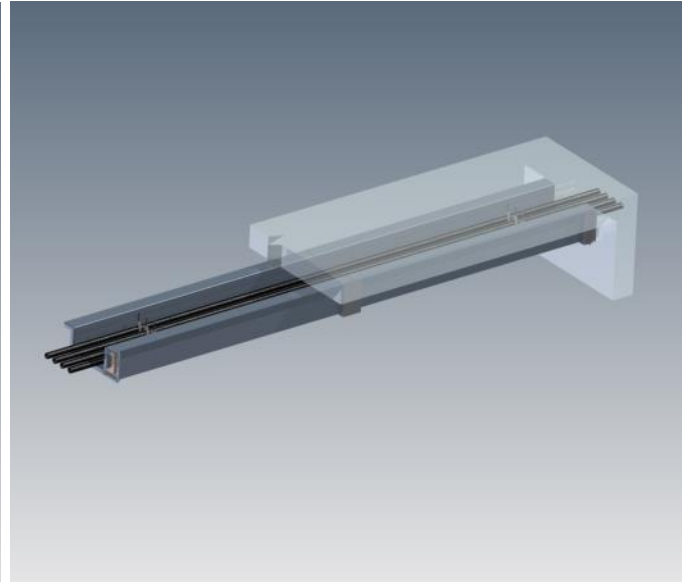


Rendering of a DuraDuct™ 2HR duct system



Rendering of a DuraDuct™ 2HR pipe enclosure

DuraDuct™ 2HR

ETL Listed ASTM E119 & CAN/ULC-S101 Fire Resistive Assemblies

DuraSystems' DuraDuct™ 2HR is a direct code compliant fire resistive rated solution.

The DuraDuct™ 2HR system design meets the requirements for fire resistance rating in accordance with the International Mechanical Code (IMC), International Building Code (IBC) and National Building Code of Canada (NBCC). The assembly is ETL listed, DSB/IMWP 120-01, providing a code compliant, ASTM E119 and CAN/ULC-S101 shaft enclosure.

Shaft enclosures shall meet the code requirements of Section 703 in the IBC which requires ASTM E119 or UL 263 certification as well as the NBCC which requires CAN/ULC-S101 to determine the fire resistance rating.

When alternate materials and methods fall short of meeting the requirements of code prescribed fire resistance ratings, DuraSystems' DuraDuct™ 2HR is the solution.

Product Features & Solutions:

- ◆ IBC, IMC & NBCC code compliance
- ◆ Hazardous & laboratory exhaust (DuraDuct™ LXD)
- ◆ Pipe/containment enclosures
- ◆ Air & liquid tight assembly tested under fire condition
- ◆ Mechanical protection
- ◆ New York City building code for vertical applications
- ◆ NFPA 90A & 90B compliance for vertical shaft Assemblies

The assembly may be utilized as an enclosure for mechanical services in accordance with code prescribed methods. Contact DuraSystems for project specific solutions. For project specific solutions, AHJ consultation and approval prior to construction may be required.

For a code-compliant, single source solution, DuraSystems' DuraDuct™ 2HR is the clear choice!

DuraDuct™ 2HR - Patent Pending

Please visit our website at www.durasystems.com to find your local representative or contact DuraSystems for further information at info@duasystems.com.