



DuraDuct™ GNX

2-Hour Fire Rated Ductwork

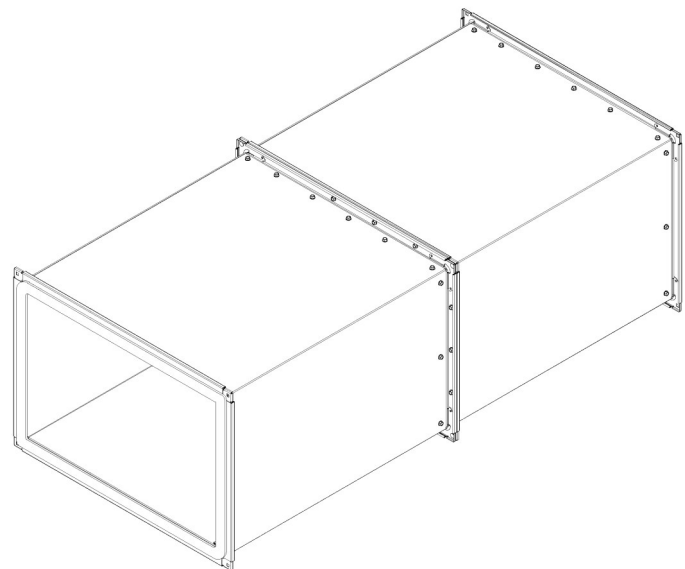
DuraDuct™ GNX is a light weight 2-hour fire rated duct system.

DuraDuct™ GNX is an innovative ETL and UL listed 2-hour fire resistance rated duct system that does not require additional wraps or enclosures. It uses a unique and patented double wall construction that is lightweight, impact and moisture resistant.

The duct assembly consists of a series of prefabricated duct sections which feature an easy-to-assemble 4-bolt type connection system familiar to installation contractors.

DuraDuct™ GNX's slim profile provides substantial space savings by eliminating bulky shaft walls or external wrap enclosures. The quick and easy assembly combined with single trade installation helps to reduce labor costs.

DuraDuct™ GNX, the slim, lightweight and versatile fire rated duct solution designed to help you save space and time.



Patent : www.durasystems.com/patents



Please visit our website at www.durasystems.com to find your local representative or contact DuraSystems for further information at info@durasystems.com.